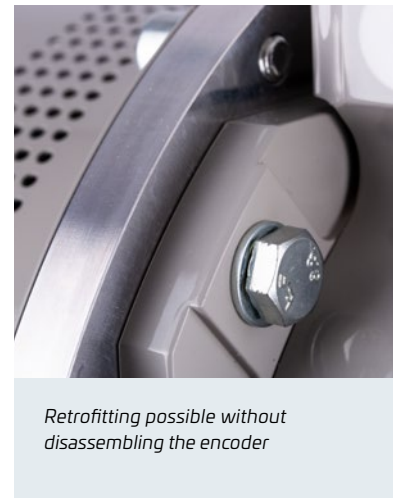


Protective cover for FGH 6 attachments

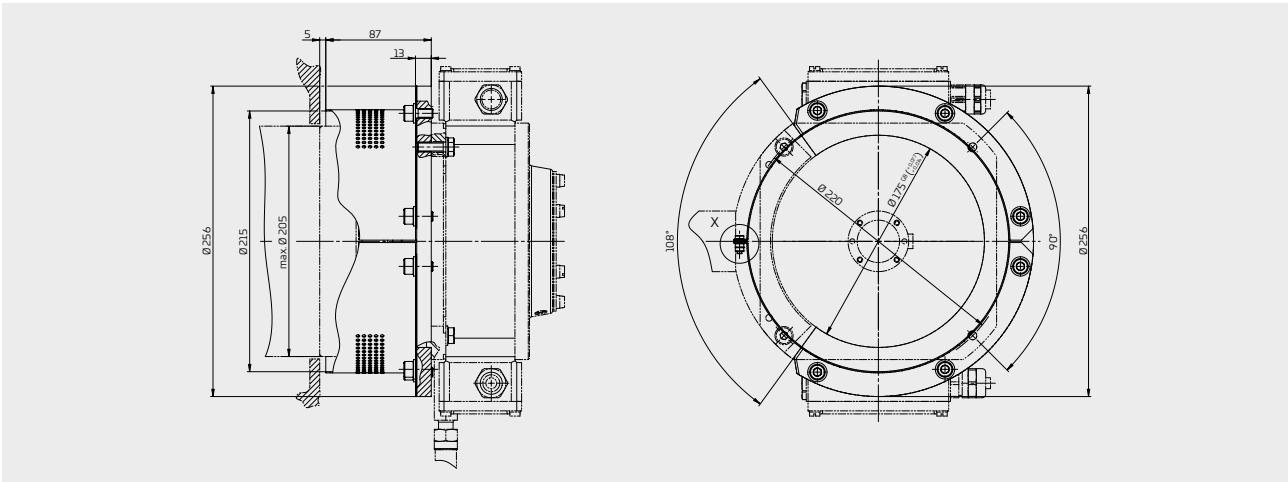
Supplement to the proven encoder system solution

Product description

- Cover suitable for incremental encoder FGH 6
- For protection against accidents caused by rotating parts
- Easy retrofitting of existing attachments
- Cover is screwed directly onto mounted FGH 6
- Three sizes available: 215 / 225 / 290 mm inner diameter, suitable for different adapter shaft sizes



Dimension drawing for cover 23897 (Inner diameter: 215 mm)

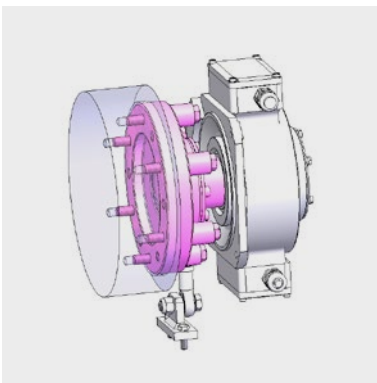


System solution Cover on FGH 6 / adapter shaft

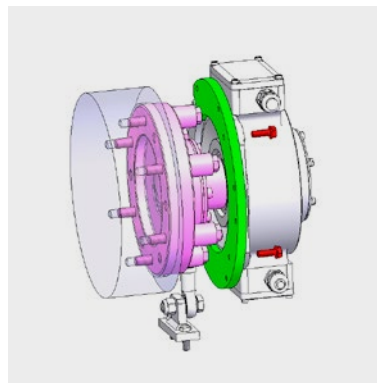
Overview covers / adapter shafts

ID cover	Length	ID adapter shaft	Ø adapter shaft	Dimension drawing
23897	87 mm	13705	max. 205 mm	HM 21 M117212
25453	77 mm	13709, 13710	max. 216 mm	HM 21 M117213
25503	69 mm	13711, 13713	max. 280 mm	HM 22 M117411

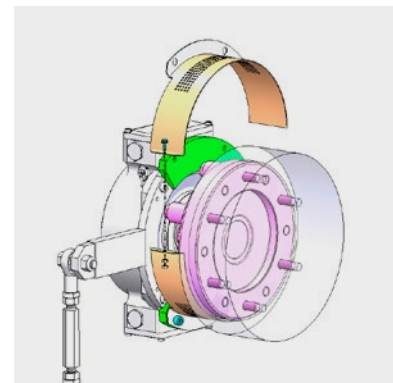
Retrofitting the cover on FGH 6



1 Existing mounting with FGH 6



2 Mounting the retaining plate on the FGH 6 flange



3 The two halves of the cover are each attached to the retaining plate and screwed together

 Adapter flange with adapter shaft

 Retaining plate of the cover

 Cover